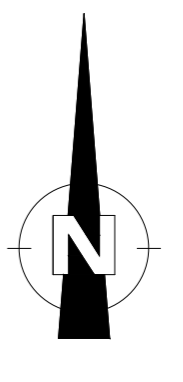


| Point Table | | | | Point Table | | | | Point Table | | | | Point Table | | | |
|-------------|------|--------------|-------------|-------------|------|--------------|-------------|-------------|------|--------------|-------------|-------------|------|--------------|-------------|
| Point # | Zone | Northing | Easting | Point # | Zone | Northing | Easting | Point # | Zone | Northing | Easting | Point # | Zone | Northing | Easting |
| 001 | 34H | 6353766.6504 | 399913.8680 | a | 34H | 6351713.9500 | 400770.5000 | aa | 34H | 6354771.1500 | 400710.1800 | aaa | 34H | 6353945.2100 | 401671.7000 |
| 002 | 34H | 6354129.1341 | 400722.8409 | b | 34H | 6354771.2500 | 400710.1700 | bb | 34H | 6354643.8300 | 401108.6500 | bbb | 34H | 6353943.7200 | 401793.3000 |
| 003 | 34H | 6354337.8088 | 401188.5392 | c | 34H | 6354861.6000 | 400495.1100 | cc | 34H | 6354274.4100 | 401205.0900 | ccc | 34H | 6353138.2200 | 402882.8900 |
| | | | | d | 34H | 6352943.7400 | 399477.0700 | dd | 34H | 6354035.3000 | 401416.0200 | ddd | 34H | 6353144.3600 | 403250.0500 |
| | | | | e | 34H | 6351746.0800 | 400105.8400 | ee | 34H | 6353945.3100 | 401671.7000 | eee | 34H | 6352948.0200 | 403428.8300 |
| | | | | | | | | ff | 34H | 6351666.6201 | 401716.7376 | fff | 34H | 6352549.9400 | 403470.5200 |
| | | | | | | | | gg | 34H | 6351713.9500 | 400770.5000 | ggg | 34H | 6351638.2100 | 402323.8600 |
| | | | | | | | | hhh | 34H | 6351666.6201 | 401716.7376 | hhh | 34H | 6351666.6201 | 401716.7376 |

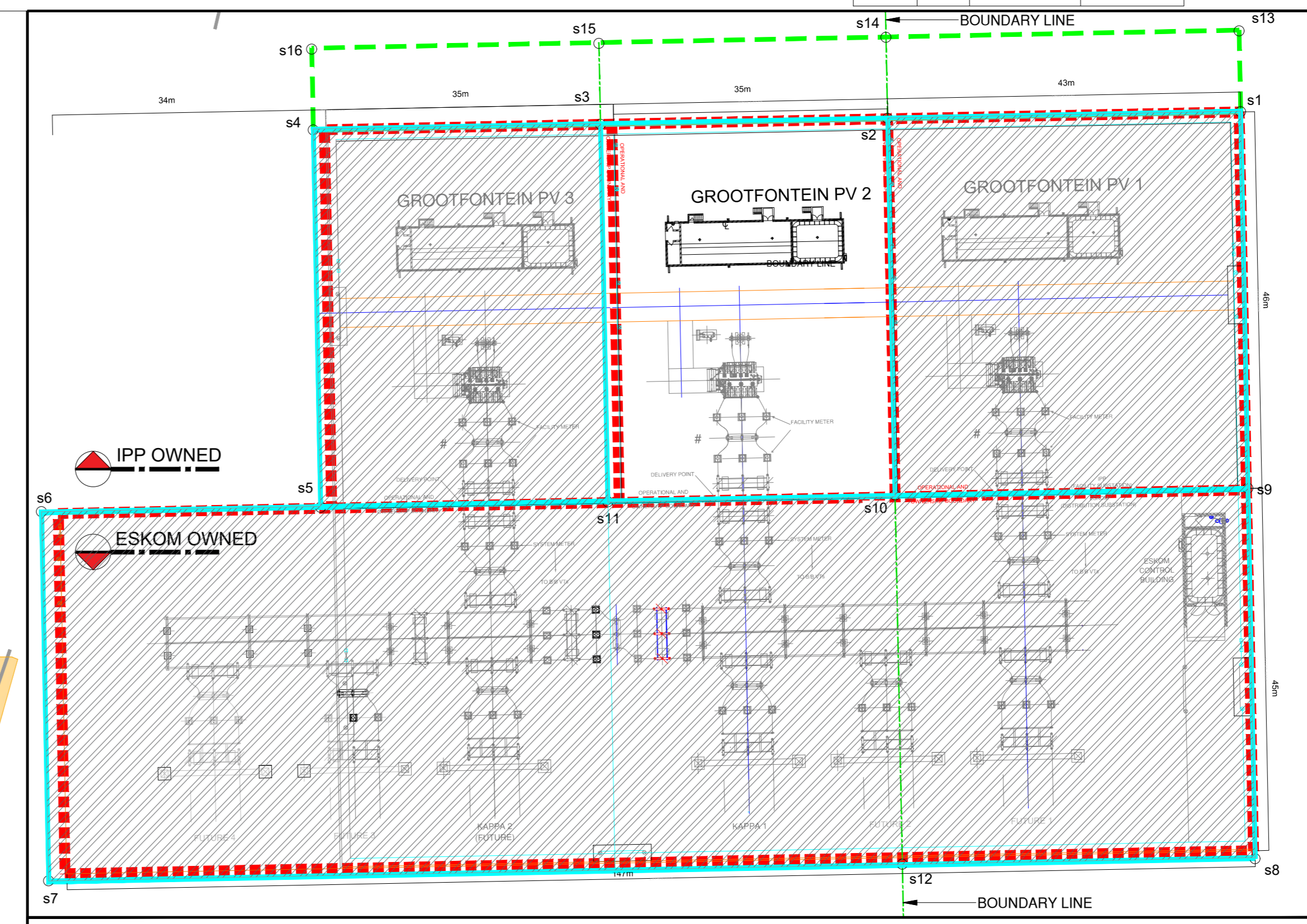


- LEGEND:**
- SCATEC PLANT BOUNDARY
 - PV SITE BOUNDARY
 - INTERNAL FENCING
 - SUBSTATION INTERNAL BOUNDARY
 - SUBSTATION BOUNDARY 10m OFFSET BUFFER
 - ACCESS ROAD CORRIDOR
 - LAYDOWN AREA

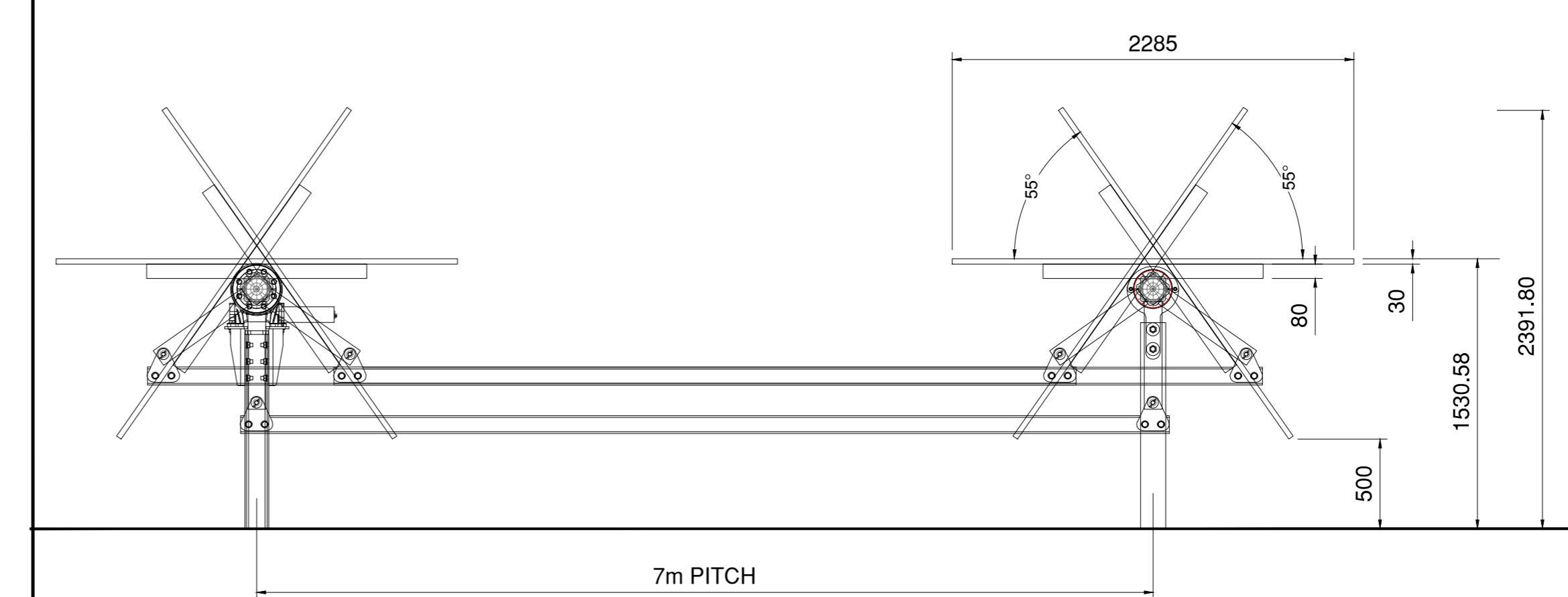
- SENSITIVITY AREAS**
- 100m BUFFER FROM RIPARIAN WATERCOURSE
 - RIPIARIAN
 - RIVERINE RABBIT HIGH SENSITIVITY
 - AVIFAUNA - NO GO
 - TERRESTRIAL
 - VISUAL - NO GO
 - RIVERINE RABBIT - NO GO

- 6m GRAVEL ROAD
- 3m GRAVEL ROAD
- 2.5m GRAVEL ROAD
- FENCE
- INVERTER TRANSFORMER STATION (I.T.S)
- TRACKER PV TABLE 2 STRING (66 MODULES)

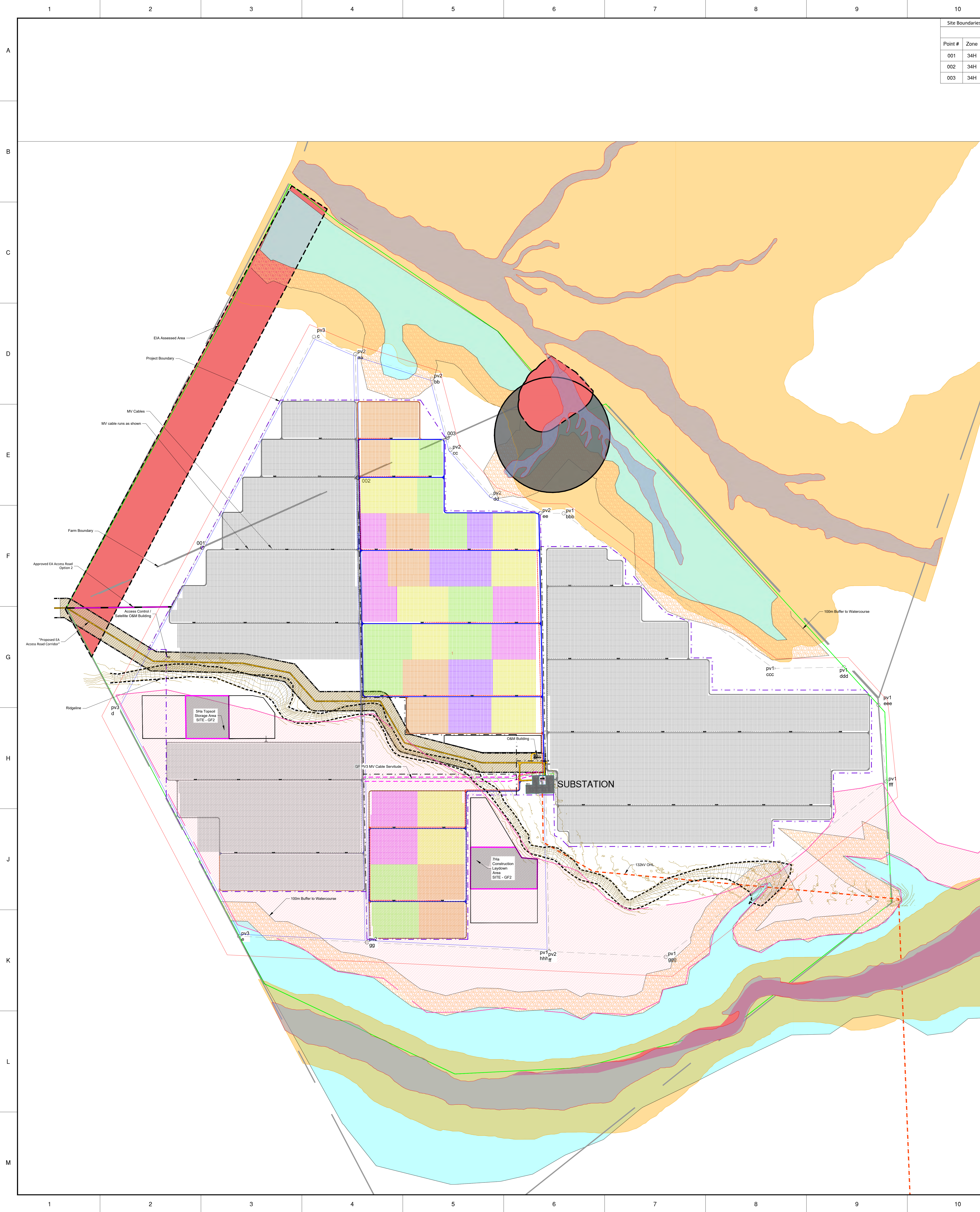
NOTE:
Coordinate System UTM WGS84



SUBSTATION



**TYPICAL TRACKER DETAIL
(1 MODULE IN PORTRAIT 7m PITCH)**



DRAFT

| Rev | Date | QA/QC | Description | Drawn | Eng |
|-----|------------|-------|-----------------------------|-------|--------|
| 00 | 18/02/2022 | X | DRAFT - ISSUED FOR APPROVAL | M.c.A | P.vWyk |



1 Dock Road, 2nd Floor, North Block
Waterway House, V&A Waterfront
Cape Town
8005

www.scatec.com

Project: **GROOTFONTEIN PV 2**

Title: **ENVIRONMENTAL AUTHORIZATION
SITE GF-02
APPROVAL LAYOUT**

Drawing no: **SCA-EN-DWG-EA201**

| | | |
|----------------------------------|-------------------------------|--------------------|
| Draughtsman: M.c.ADAMS | Engineer: P.Van Wyk | Approved: - |
| Size: A0 | Scale: 1:7500 | Sheet Number: - |