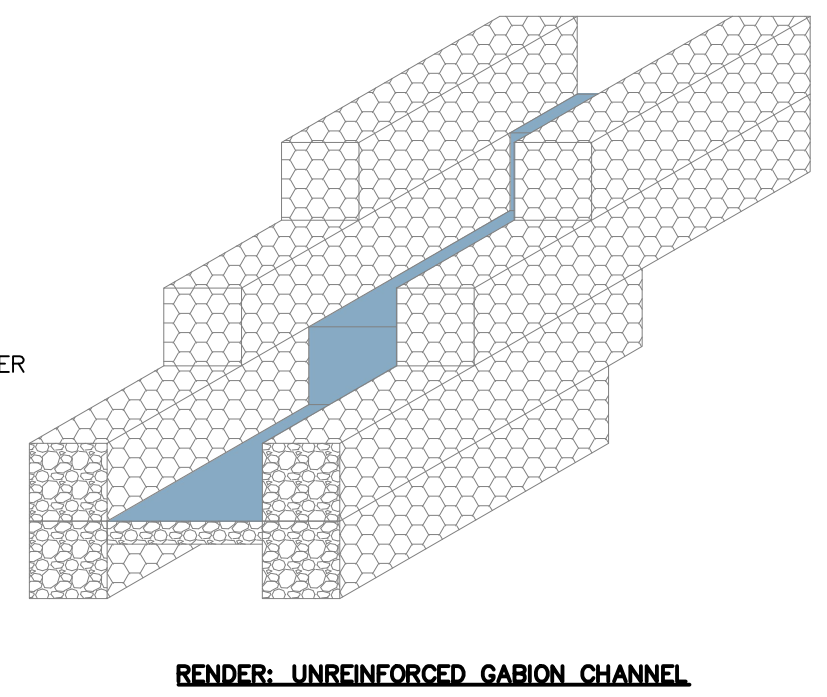
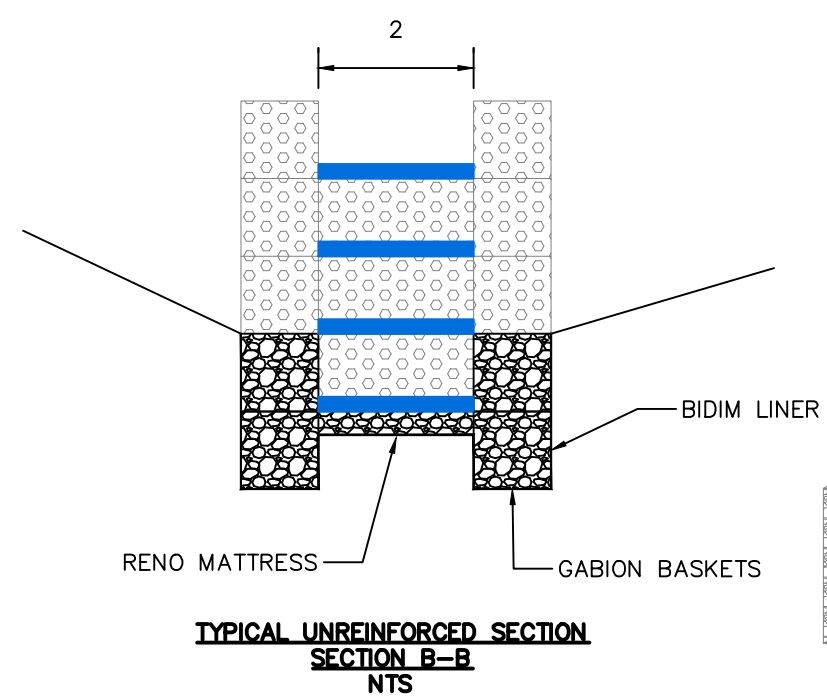
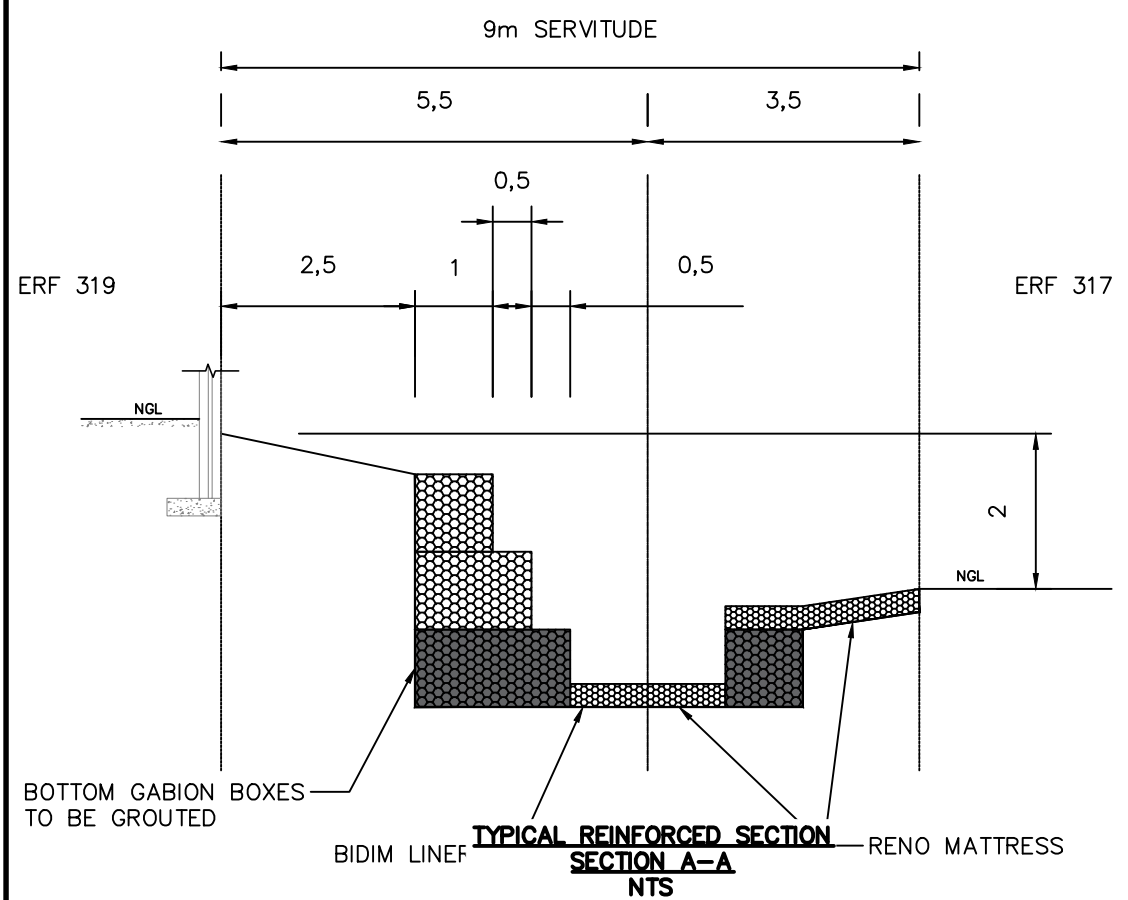
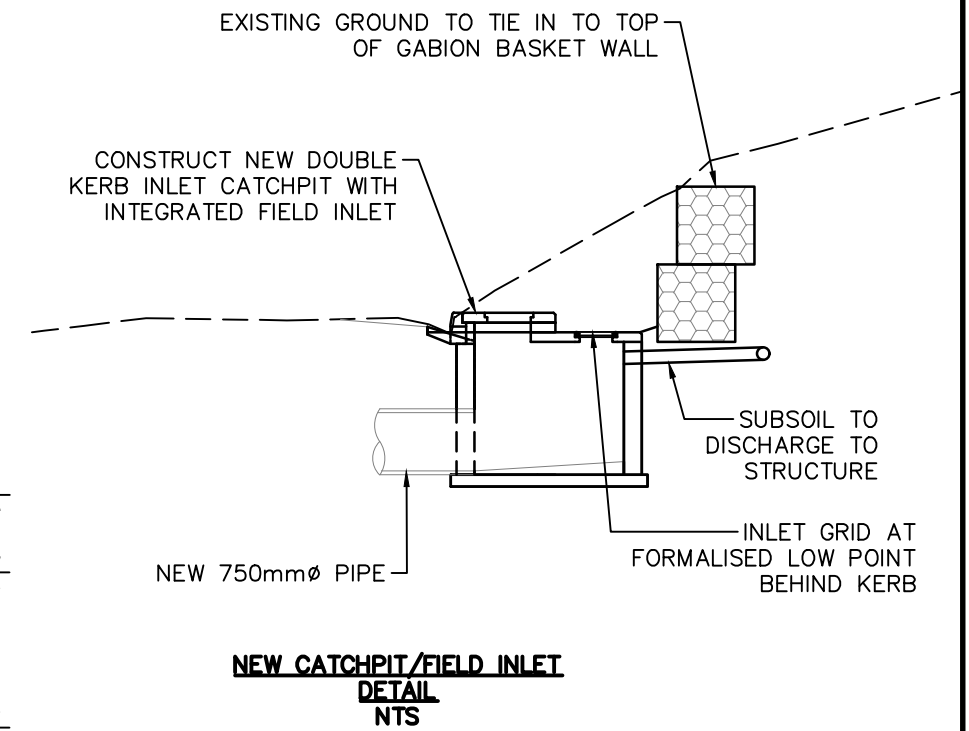
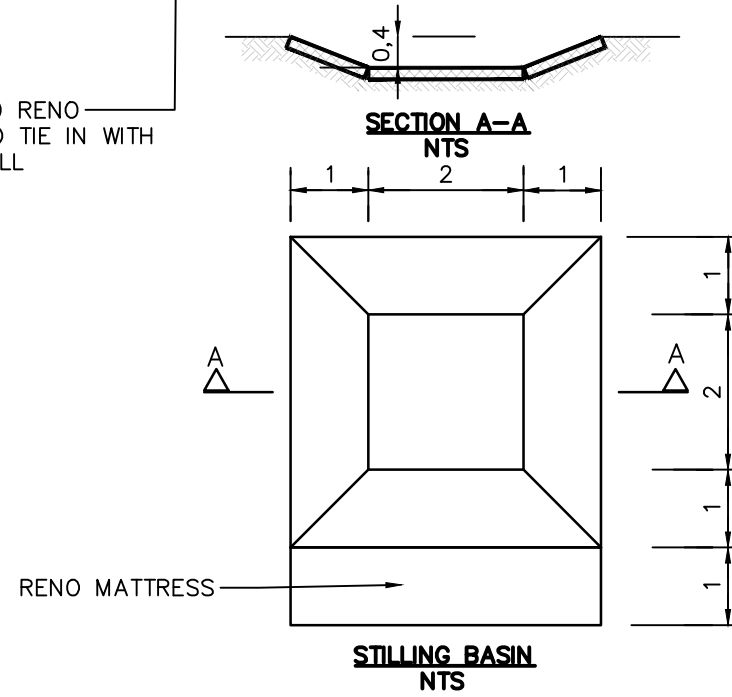
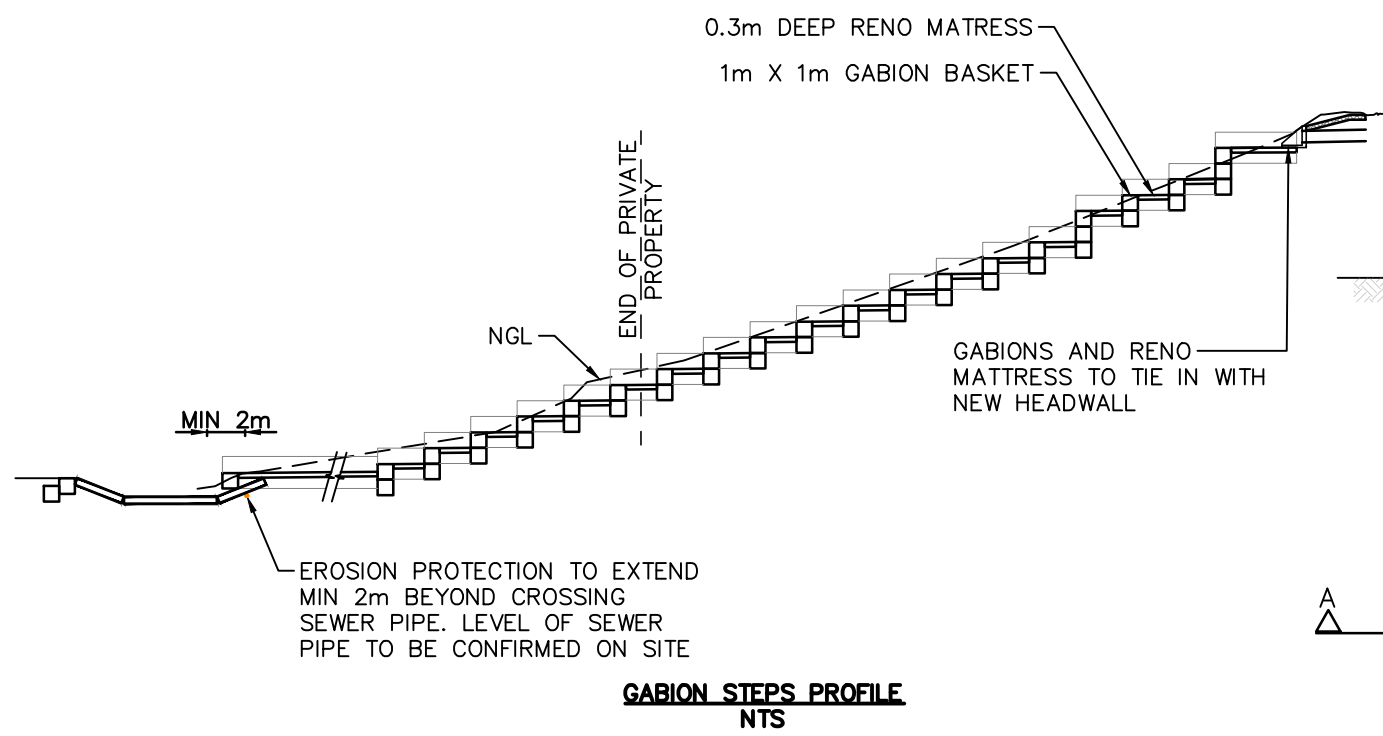


FIG: 5.1

EROSION PROTECTION LAYOUT AREA 11 1:500



- NOTE:**
1. BIDIM LINER BELOW ALL GABION BASKETS AND RENO MATTRESSES
  2. BASE GABIONS TO BE ANCHORED TO BEDROCK



**FIG: 5.2**

**EROSION PROTECTION DETAILS**  
**AREA 11**  
**NOT TO SCALE**